



## **Forged Gate / Globe / Check valves**



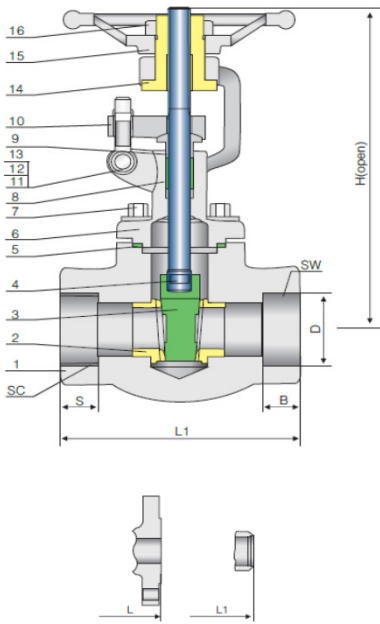
## FORGED STEEL GATE VALVE 800Lb

### Applicable Standards:

- > STEEL GATE VALVES, API 602
- > STEEL VALVES, ASME B16.34
- > FACE TO FACE, MANUFACTURER STANDARD
- > FACE TO FACE FLANGED, ASME B16.10
- > END FLANGES, ASME B16.5
- > BUTTWELDING ENDS, ASME B16.25
- > SOCKET-WELDING ENDS, ASME B16.11
- > SCREWED ENDS, ASME B1.20.1
- > INSPECTION AND TEST API598

### Design descriptions:

- > OUTSIDE SCREW AND YOKE (OS&Y)
- > BOLTED BONNET
- > CHOICE OF WB, WELDED BONNET
- > SINGLE WEDGE, FULLY GUIDED
- > RENEWABLE SEAT RINGS
- > YOKE INTEGRAL WITH BONNET
- > RISING STEM HANDWHEEL
- > SW, SOCKET-WELDING ENDS
- > SC, SCREWED ENDS
- > BW, BUTTWELDING ENDS
- > FLANGED ENDS



### Materials of Parts

| No | Part Name                  | Carbon Steel   | Stainless steel | Carbon Steel |
|----|----------------------------|----------------|-----------------|--------------|
| 1  | Body                       | A105           | A182-F316       | A182-F11     |
| 2  | Bonnet                     | A105           | A182-F316       | A182-F11     |
| 3  | Wedge                      | A182-F6a       | A182-F316       | A182-F6a+HF  |
| 4  | Stem                       | A276-410       | A276-316        | A276-410     |
| 5  | Seat Ring                  | A276-410       | A182-F316       | A276-410+HF  |
| 6  | Bonnet Gasket <sup>1</sup> | Graphite+304   | Graphite+316    | Graphite+304 |
| 7  | Bonnet Stud                | A193-B7        | A193-B8M        | A193-B16     |
| 8  | Packing                    | Graphite       |                 |              |
| 9  | Gland                      | A276-410       | A276-316        | A276-410     |
| 10 | Gland Flange               | A105           | A182-F316       | A182-F11     |
| 11 | Eyebolt Pin                | A276-410       | A276-316        | A276-410     |
| 12 | Eyebolt                    | A193-B7        | A193-B8M        | A193-B16     |
| 13 | Eyebolt Nut                | A194-2H        | A194-8M         | A194-2H      |
| 14 | Yoke Sleeve                | A276-410       |                 |              |
| 15 | Hand Wheel                 | Malleable Iron |                 |              |
| 16 | Hand Wheel Nut             | Carbon Steel   |                 |              |

- Note: 1) Spiral wound construction  
2) Special material as customer's requirement

### Dimensional datas :

| NPS<br>( DN ) | Unit     | L1 <sup>1</sup> | L ( Flanged Ends ) |       |       | d    | SW   |      | SC    |      | H(open) | Handwheel |
|---------------|----------|-----------------|--------------------|-------|-------|------|------|------|-------|------|---------|-----------|
|               |          |                 | 150Lb              | 300Lb | 600Lb |      | D    | B    | NPT   | S    |         |           |
| 3/8"<br>10    | in<br>mm | 79              | 102                | 140   | 165   | 10   | 17.6 | 9.6  | 3/8   | 13.6 | 151     | 100       |
| 1/2"<br>15    | in<br>mm | 79              | 108                | 140   | 165   | 10   | 21.8 | 9.6  | 1/2   | 13.6 | 151     | 100       |
| 3/4"<br>20    | in<br>mm | 92              | 117                | 152   | 190   | 13.5 | 27.1 | 12.7 | 3/4   | 13.9 | 158     | 100       |
| 1"<br>25      | in<br>mm | 111             | 127                | 165   | 216   | 18   | 33.8 | 12.7 | 1     | 17.3 | 185     | 125       |
| 1.1/4"<br>32  | in<br>mm | 120             | 140                | 178   | 229   | 24   | 42.6 | 12.7 | 1 1/4 | 18   | 239     | 160       |
| 1.1/2"<br>40  | in<br>mm | 120             | 165                | 190   | 241   | 30   | 48.7 | 12.7 | 1 1/2 | 18.4 | 243     | 160       |
| 2"<br>50      | in<br>mm | 140             | 178                | 216   | 292   | 36.5 | 61.1 | 15.9 | 2     | 19.2 | 279     | 180       |

- Notes 1.) BW, SW or SC  
2.) 150~600Lb - RF / 800Lb - (BW/SW/SC)

Dimension, design and material are subject to change without notice.

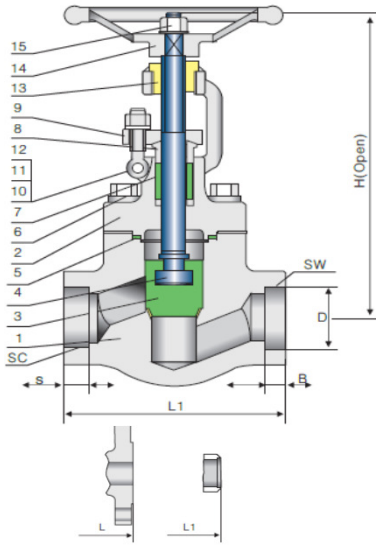
## FORGED STEEL GLOBE VALVE 800Lb

### Applicable Standards:

- > STEEL GLOBE VALVES, API 602
- > STEEL VALVES, ASME B16.34
- > FACE TO FACE, MANUFACTURER STANDARD
- > FACE TO FACE FLANGED, ASME B16.10
- > END FLANGES, ASME B16.5
- > BUTTWELDING ENDS, ASME B16.25
- > SOCKET-WELDING ENDS, ASME B16.11
- > SCREWED ENDS, ASME B1.20.1
- > INSPECTION AND TEST API598

### Design descriptions:

- > OUTSIDE SCREW AND YOKE (OS&Y)
- > BOLTED BONNET
- > CHOICE OF WB, WELDED BONNET
- > LOOSW DISC, CHOICE OF PLUG OR BALL
- > SEAT RINGS INTEGRAL WITH BODY
- > YOKE INTEGRAL WITH BONNET
- > RISING STEM HANDWHEEL
- > HORIZONTAL SERVICE
- > SW, SOCKET-WELDING ENDS
- > SC, SCREWED ENDS
- > BW, BUTTWELDING ENDS



### Materials of Parts

| No | Part Name                  | Carbon Steel   | Stainless steel | Carbon Steel |
|----|----------------------------|----------------|-----------------|--------------|
| 1  | Body                       | A105+13cr      | A182-F316       | A182-F11+HF  |
| 2  | Bonnet                     | A105           | A182-F316       | A182-F11     |
| 3  | Disc                       | A182-F6a       | A182-F316       | A182-F6a+HF  |
| 4  | Stem                       | A276-410       | A276-316        | A276-410     |
| 5  | Bonnet Gasket <sup>2</sup> | Graphite+304   | Graphite+316    | Graphite+304 |
| 6  | Bonnet Stud                | A193-B7        | A193-B8M        | A193-B16     |
| 7  | Packing                    | Graphite       |                 |              |
| 8  | Gland                      | A276-410       | A276-316        | A276-410     |
| 9  | Gland Flange               | A105           | A182-F316       | A182-F11     |
| 10 | Eyebolt Pin                | A276-410       | A276-316        | A276-410     |
| 11 | Eyebolt                    | A193-B7        | A193-B8M        | A193-B16     |
| 12 | Eyebolt Nut                | A194-2H        | A194-8M         | A194-4/7     |
| 13 | Yoke Sleeve                | A276-410       |                 |              |
| 14 | Hand Wheel                 | Malleable Iron |                 |              |
| 15 | Hand Wheel Nut             | Carbon Steel   |                 |              |

- Note:
- 1) Seat integral with body
  - 2) Spiral wound construction
  - 3) Special material as customer's requirement

### Dimensional datas :

| NPS<br>( DN ) | Unit     | L <sup>1</sup> | L ( Flanged Ends ) |       |       | d    | SW   |      | SC    |      | H(open) | Handwheel |
|---------------|----------|----------------|--------------------|-------|-------|------|------|------|-------|------|---------|-----------|
|               |          |                | 150Lb              | 300Lb | 600Lb |      | D    | B    | NPT   | S    |         |           |
| 3/8"<br>10    | in<br>mm | 79             | 102                | 152   | 165   | 9    | 17.6 | 9.6  | 3/8   | 13.6 | 164     | 100       |
| 1/2"<br>15    | in<br>mm | 79             | 108                | 152   | 165   | 9    | 21.8 | 9.6  | 1/2   | 13.6 | 164     | 100       |
| 3/4"<br>20    | in<br>mm | 92             | 117                | 178   | 190   | 13   | 27.1 | 12.7 | 3/4   | 13.9 | 164     | 100       |
| 1"<br>25      | in<br>mm | 111            | 127                | 203   | 216   | 17.5 | 33.8 | 12.7 | 1     | 17.3 | 203     | 125       |
| 1.1/4"<br>32  | in<br>mm | 120            | 140                | 216   | 229   | 23   | 42.6 | 12.7 | 1 1/4 | 18   | 239     | 160       |
| 1.1/2"<br>40  | in<br>mm | 152            | 165                | 229   | 241   | 29   | 48.7 | 12.7 | 1 1/2 | 18.4 | 243     | 160       |
| 2"<br>50      | in<br>mm | 172            | 203                | 267   | 292   | 35   | 61.1 | 15.9 | 2     | 19.2 | 279     | 180       |

- Notes
- 1.) BW, SW or SC
  - 2.) 150~600Lb - RF / 800Lb - (BW/SW/SC)

Dimension, design and material are subject to change without notice.

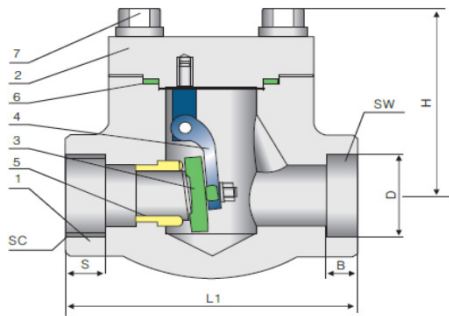
## FORGED STEEL CHECK VALVE 800Lb

### Applicable Standards:

- > STEEL CHECK VALVES, API 602
- > STEEL VALVES, ASME B16.34
- > FACE TO FACE, MANUFACTURER STANDARD
- > FACE TO FACE FLANGED, ASME B16.10
- > END FLANGES, ASME B16.5
- > BUTTWELDING ENDS, ASME B16.25
- > SOCKET-WELDING ENDS, ASME B16.11
- > SCREWED ENDS, ASME B1.20.1
- > INSPECTION AND TEST API598

### Design descriptions:

- > BOLTED COVER
- > CHOICE OF WB, WELDED BONNET
- > HORIZONTAL OR VERTICAL SERVICE
- > SW, SOCKET-WELDING ENDS
- > SC, SCREWED ENDS
- > BW, BUTTWELDING ENDS
- > FLANGED ENDS

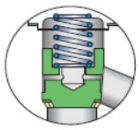


Swing type

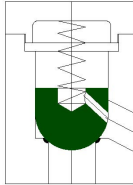
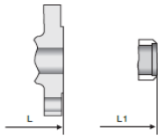
### Materials of Parts

| No | Part Name           | Carbon Steel | Stainless steel | Carbon Steel |
|----|---------------------|--------------|-----------------|--------------|
| 1  | Body                | A105         | A182-F316       | A182-F11     |
| 2  | Cover               | A105         | A182-F316       | A182-F11     |
| 3  | Disc                | A182-F6a     | A182-F316       | A276-410+HF  |
| 4  | Hinge               | A276-410     | A276-316        | A276-410     |
| 5  | Seat                | A276-410     | A182-F316       | A276-410+HF  |
| 6  | Gasket <sup>2</sup> | Graphite+304 | Graphite+316    | Graphite+304 |
| 7  | Stud                | A193-B7      | A193-B8M        | A193-B16     |

- Note:
- 1) Piston type check valve seat ring integral with body
  - 2) Spiral wound construction
  - 3) Special material as customer's requirement



Piston type



Ball type

### Dimensional datas :

| NPS<br>( DN ) | Unit     | L <sup>1</sup> | L ( Flanged Ends ) |       |       | d    | SW   |      | SC    |      | H   |
|---------------|----------|----------------|--------------------|-------|-------|------|------|------|-------|------|-----|
|               |          |                | 150Lb              | 300Lb | 600Lb |      | D    | B    | NPT   | S    |     |
| 3/8"<br>10    | in<br>mm | 79             | 102                | 152   | 165   | 9    | 17.6 | 9.6  | 3/8   | 13.6 | 61  |
| 1/2"<br>15    | in<br>mm | 79             | 108                | 152   | 165   | 9    | 21.8 | 9.6  | 1/2   | 13.6 | 61  |
| 3/4"<br>20    | in<br>mm | 92             | 117                | 178   | 190   | 13   | 27.1 | 12.7 | 3/4   | 13.9 | 61  |
| 1"<br>25      | in<br>mm | 111            | 127                | 203   | 216   | 17.5 | 33.8 | 12.7 | 1     | 17.3 | 78  |
| 1.1/4"<br>32  | in<br>mm | 120            | 140                | 216   | 229   | 23   | 42.6 | 12.7 | 1 1/4 | 18   | 84  |
| 1.1/2"<br>40  | in<br>mm | 152            | 165                | 229   | 241   | 29   | 48.7 | 12.7 | 1 1/2 | 18.4 | 94  |
| 2"<br>50      | in<br>mm | 172            | 203                | 267   | 292   | 35   | 61.1 | 15.9 | 2     | 19.2 | 112 |

- Notes
- 1.) BW, SW or SC
  - 2.) 150~600Lb - RF / 800Lb - (BW/SW/SC)

Dimension, design and material are subject to change without notice.



**DHC CO., LTD.**

140, Haksa-Ro, Buk-Gu, Busan, Korea (zip code : 46527)

\* telephone : + 82 51 314 7331 (Hunting Line)

\* facsimile : + 82 51 315 7331

\* web-site : [www.dhcvalve.net](http://www.dhcvalve.net)

\* e-mail : [dhc@dhcvalve.net](mailto:dhc@dhcvalve.net)